

PARTS CATALOGUE FOR  
PROFESSIONAL EMBROIDERY  
MACHINE

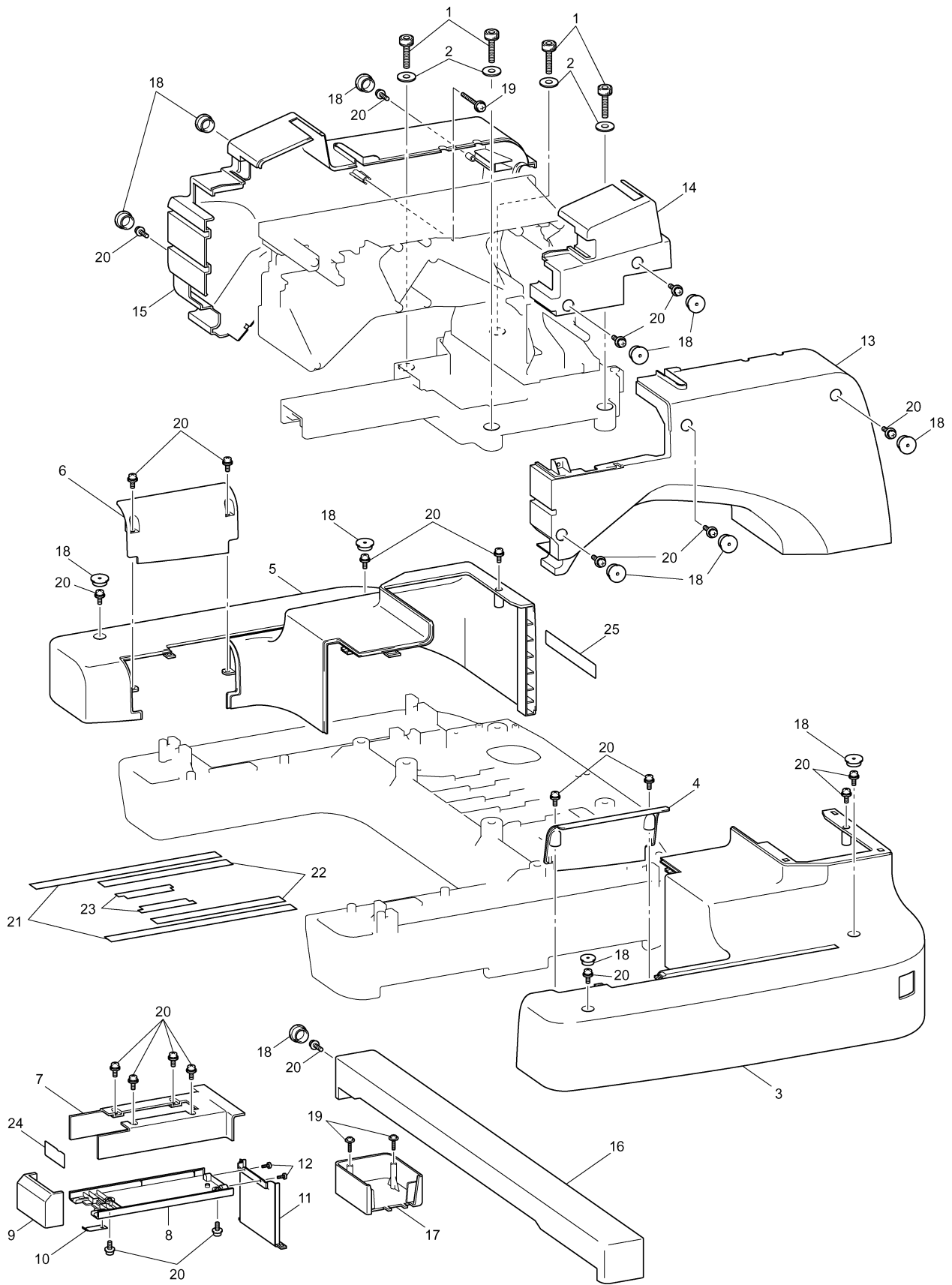
PR600  
PR600C

# CONTENTS

(1) PRINCIPAL PARTS.....	2
(2) UPPER SHAFT MECHANISM.....	4
(3) NEEDLE BAR MECHANISM.....	6
(4) NEEDLE BAR CHANGE MECHANISM.....	8
(5) THREAD GUIDE MECHANISM.....	10
(6) ELECTRONIC PARTS.....	12
(7) MOTOR UNIT .....	16
(8) FEED MECHANISM .....	18
(9) LOWER SHAFT MECHANISM.....	24
(10) THREAD CUTTING MECHANISM .....	26
(11) THREAD WIPER MECHANISM .....	28
(12) UPPER THREAD GUIDE MECHANISM.....	30
(13) ATTACHMENTS.....	34
(14) PACKING MATERIALS / PRINTED MATTER.....	36



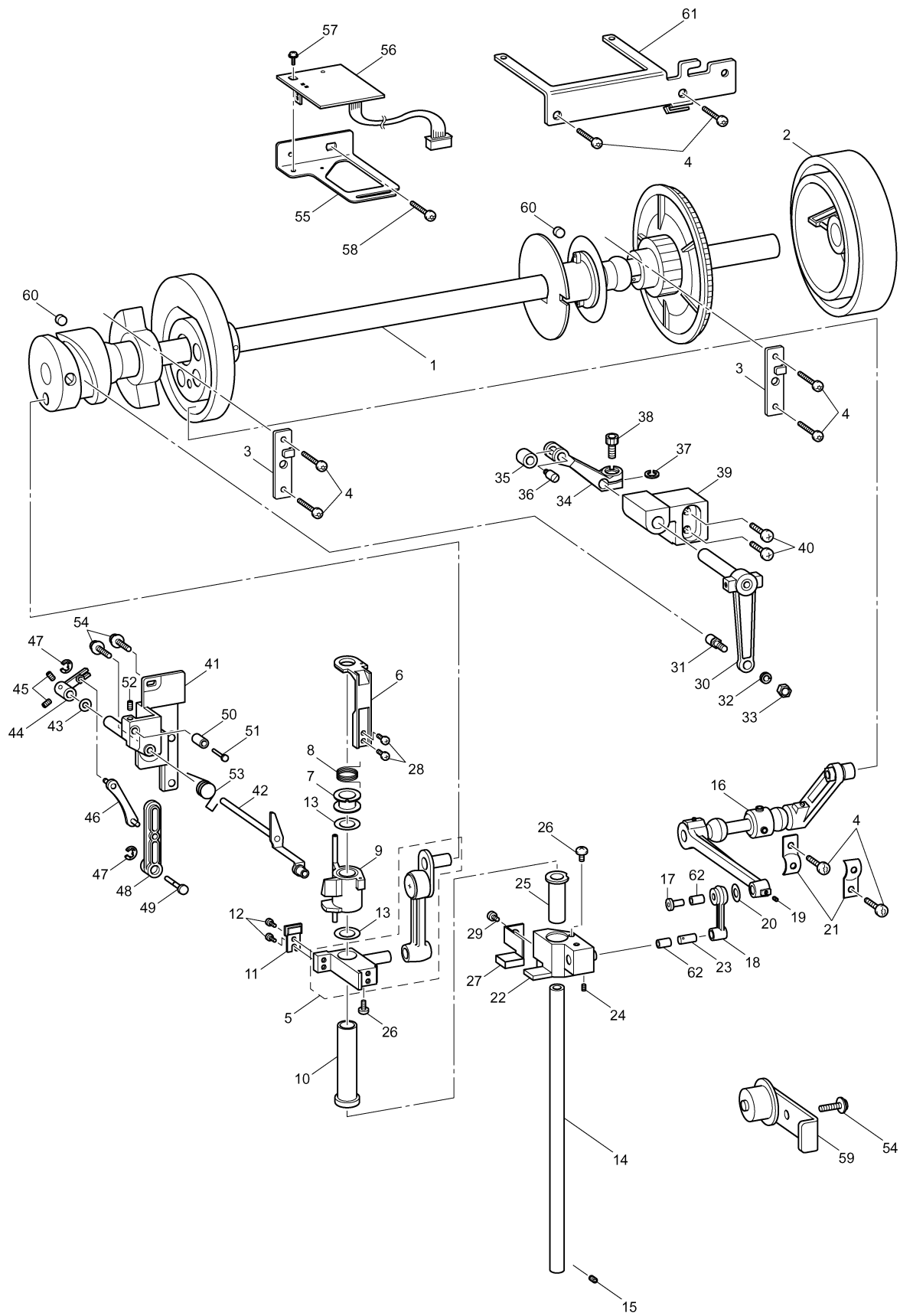
# (1) PRINCIPAL PARTS



## (2) UPPER SHAFT MECHANISM

No.	CODE	NAME	REMARKS	No.	CODE	NAME	REMARKS
1	XC5595051	UPPER SHAFT ASSEMBLY		45	014300432	SET SCREW, SOCKET (CP) M3X4	
2	XC5597051	PULLEY		46	XC5657051	J LINK ASSY	
3	XC6362051	METAL PRESSER		47	048040346	RETAINING RING, E4	
4	X57908051	TAPTITE,BIND S M4X10		48	XC5661051	J SLIDE LEVER	
5	XC7135051	CRANK ROD SET		49	XC5662051	J SLIDE LEVER SHAFT	
6	XC5614051	J BRACKET		50	XC5663051	J CUSHION	
7	XC5616051	J SPRING COLLAR		51	XC5664051	J CUSHION PIN	
8	XC5617051	J SPRING		52	012300432	SET SCREW, SOCKET (FT) M3X4	
9	XC5618001	JUMP BRACKET		53	XC5665051	J LEVER SPRING	
10	XC5621051	J VERTICAL BUSH		54	0A5401005	SCREW, PAN (S/P WASHE) M4X10	
11	XC5622051	J CUSHION BASE		55	XC5666051	SENSOR HOLDER	
12	062260316	SCREW, PAN M2.6X3		56	XC6136051	ASSY:MAIN SHAFT SENSOR	
13	131976050	WASHER,THRUST		57	052300606	SCREW, PAN (S/P WASHER) M3X6	
14	XC5623051	BASE NEEDLE BAR		58	138172051	SCREW,PAN(S/P WASHER)M4X10	
15	014500632	SET SCREW, SOCKET (CP) M5X6		59	XC6784051	TENSION PULLEY ASSY	
16	XC5624151	DRIVING SHAFT ASSY, P-FOOT		60	XC3183051	FELT	
17	XC5632151	P-FOOT LEVER SHAFT		61	XC6444051	OIL BOX HOLDER	
18	XC5633151	CONNECTING ROD, P-FOOT		62	XZ0207051	LINK FELT,3.3M	
19	014400432	SET SCREW, SOCKET (CP) M4X4					
20	X50546050	WASHER,THRUST					
21	132421051	BUSHING PRESSER					
22	XC5635151	P-FOOT VERTICAL BASE					
23	XC5636151	P-FOOT VERTICAL PIN					
24	014400432	SET SCREW, SOCKET (CP) M4X4					
25	XC5637051	P-FOOT VERTICAL BUSH					
26	008260304	SCREW, TRUSS M2.6X3					
27	XC5638051	PRESSER FOOT CUSHION BASE					
28	062300416	SCREW, PAN M3X4					
29	060300516	SCREW, BIND M3X5					
30	XC5639051	DRIVING LEVER ASSY, T/TAKE-UP					
31	XC5627051	ROLLER SHAFT ASSY					
32	028050246	WASHER, SPRING 2-5					
33	021500103	NUT, 1 M5					
34	XC5645051	DIFFERENTIAL LEVER, T/TAKE-UP					
35	107550002	ROLLER					
36	S32575001	THREAD TAKE-UP ROLLER PIN					
37	148782001	SPACER					
38	018501232	BOLT, SOCKET M5X12					
39	XC5646051	BEARING, T/TAKE-UP					
40	060501216	SCREW, BIND M5X12					
41	XC5648051	J BASE ASSY					
42	XC5651051	J DRIVING LEVER ASSY					
43	X53027050	WASHER					
44	XC5656051	J DIFFERENTIAL LEVER					

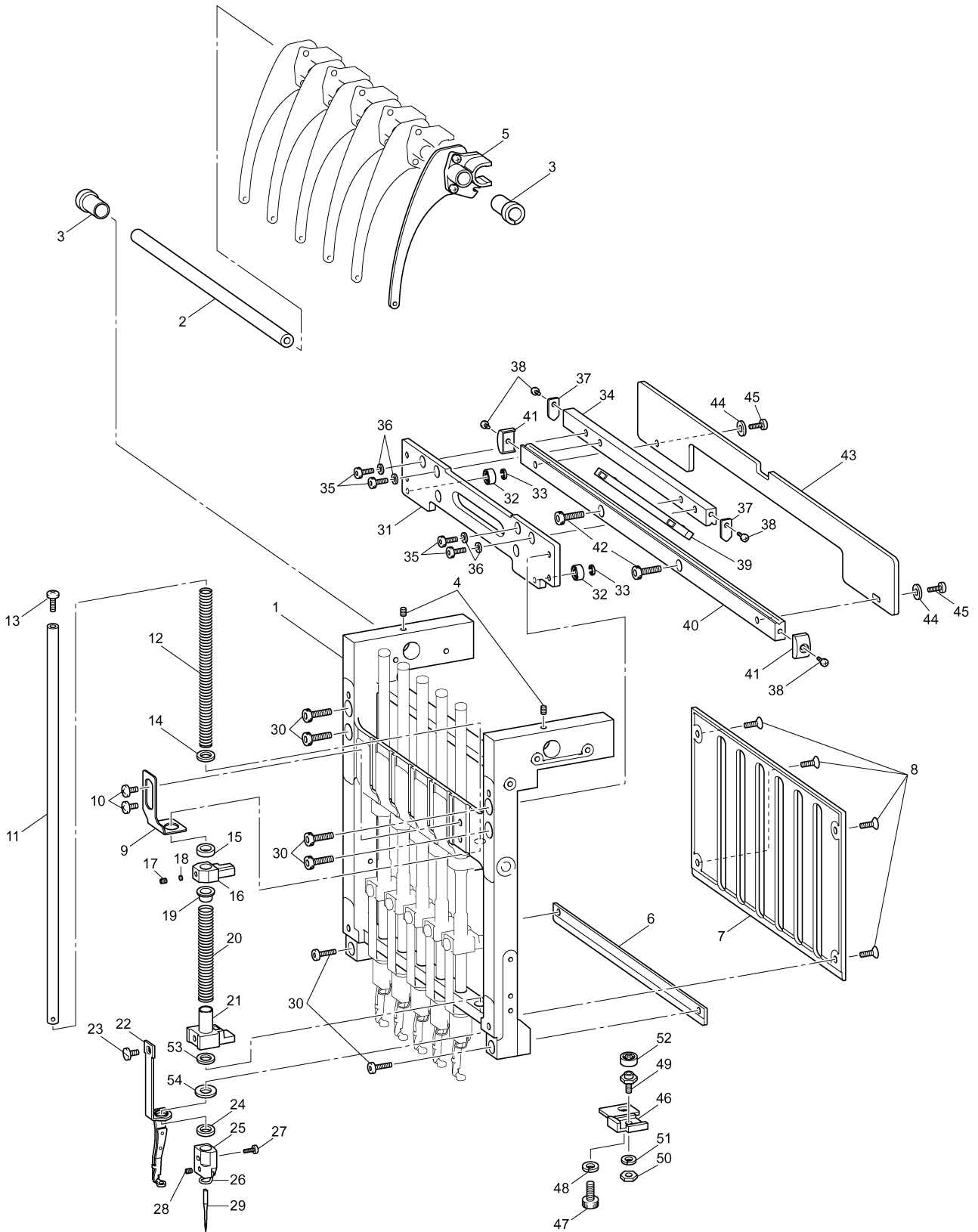
## (2) UPPER SHAFT MECHANISM



### (3) NEEDLE BAR MECHANISM

No.	CODE	NAME	REMARKS	No.	CODE	NAME	REMARKS
1	XC4954051	NEEDLE BAR CASE ASSY		45	025040236	WASHER, PLAIN M 4	
2	XC5671051	THREAD TAKE-UP SHAFT		46	XC5702051	CASE POSITIONING PLATE	
3	XC5672051	THREAD TAKE-UP BUSH		47	018501032	BOLT, SOCKET M5X10	
4	012400432	SET SCREW, SOCKET (FT) M4X4		48	028050246	WASHER, SPRING 2-5	
5	XC5673051	THREAD TAKE-UP LEVER ASSY		49	XC5703051	CASE POSITIONING SHAFT	
6	XC5676051	CASE GUIDE, D		50	021400206	NUT, 2 M4	
7	XC5677051	GUIDE RAIL, NEEDLE BAR		51	028040246	WASHER, SPRING 2-4	
8	004401003	SCREW, FLAT M4X10		52	070694009	BALL BEARING, RADIAL 694	
9	XC5678051	TOP DEAD CENTER PLATE		53	XC7249052	NEEDLE BAR FELT S (HARD)	
10	060400616	SCREW, BIND M4X6		54	XC7249051	NEEDLE BAR FELT S (SOFT)	
11	XC5679051	NEEDLE BAR					
12	XC5680051	SPRING, NEEDLE BAR					
13	062500816	SCREW, PAN M5X8					
14	118735002	WASHER					
15	S36153100	RUBBER, CUSHION					
16	XC5681051	NEEDLE BAR CLAMP					
17	014680432	SET SCREW, SOCKET SM4.37-40X4					
18	100507050	WASHER					
19	XC5682051	PRESSER FOOT SPRING COLLAR					
20	XC5683051	PRESSER FOOT SPRING					
21	XC5684051	PRESSER FOOT CLAMP					
22	XC5685051	PRESSER FOOT ASSY					
23	XC5688051	SCREW, P/F					
24	XC5689051	PRESSER FOOT CUSHION					
25	XC5690051	THREAD GUIDE, NEEDLE BAR					
26	XC7020051	THREAD GUIDE					
27	XC7021052	SCREW SM 2.38					
28	016300436	SET SCREW, SOCKET (CN) M3X4					
29	XC5691011	NEEDLE HAX130 EBBR					
30	018401632	BOLT, SOCKET M4X16					
31	XC5693051	CASE BRACKET ASSY					
32	070694009	BALL BEARING, RADIAL 694					
33	048030346	RETAINING RING, E3					
34	XC5696051	CASE GUIDE, US					
35	018400832	BOLT, SOCKET M4X8					
36	XC7406051	WASHER					
37	XC5697051	SLIDE ROLLER STOPPER					
38	062300416	SCREW, PAN M3X4					
39	XC5698051	SLIDE ROLLER					
40	XC5699051	CASE GUIDE, UL					
41	XC5700051	CASE GUIDE COVER, UL					
42	018401032	BOLT, SOCKET M4X10					
43	XC5701051	THREAD TAKE-UP GUIDE					
44	062400816	SCREW, PAN M4X8					

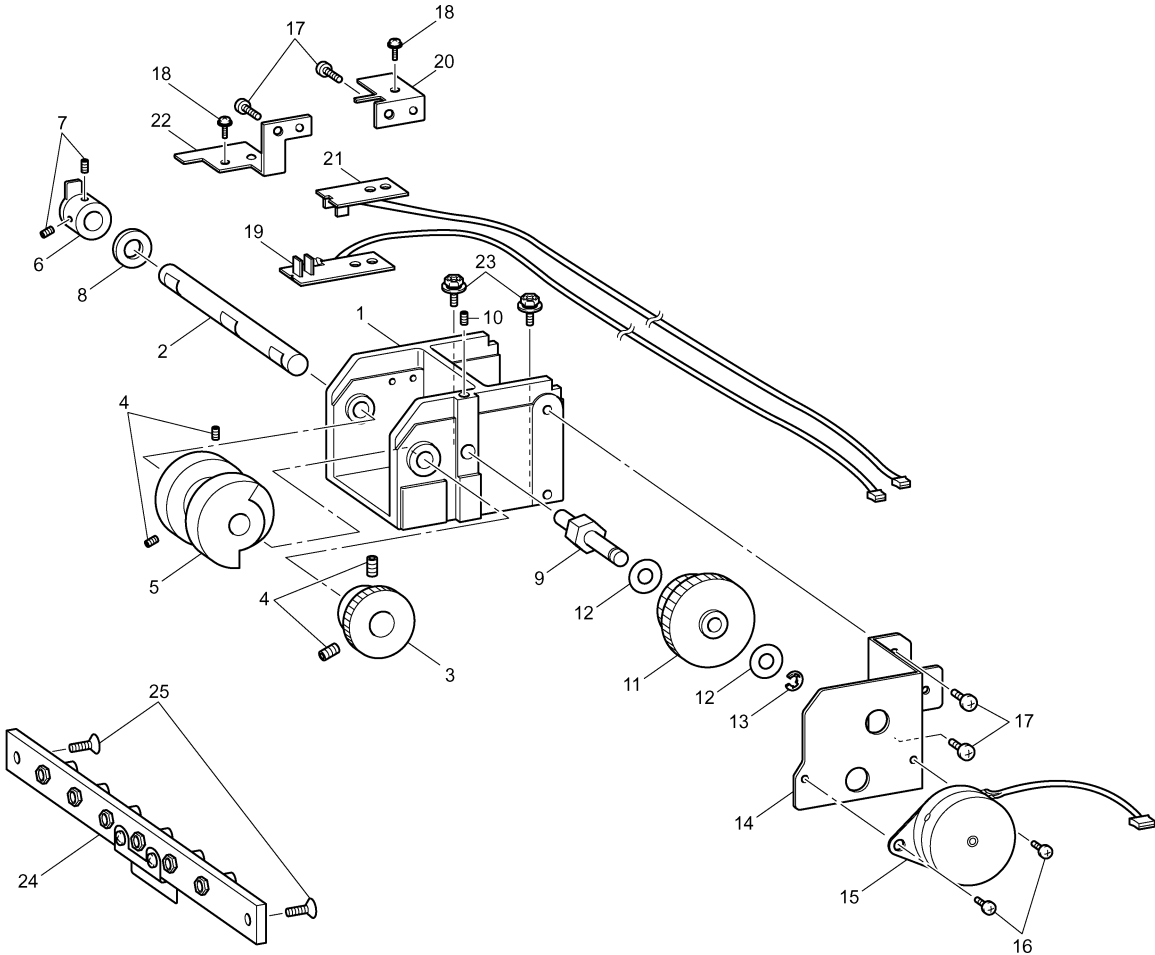
### (3) NEEDLE BAR MECHANISM





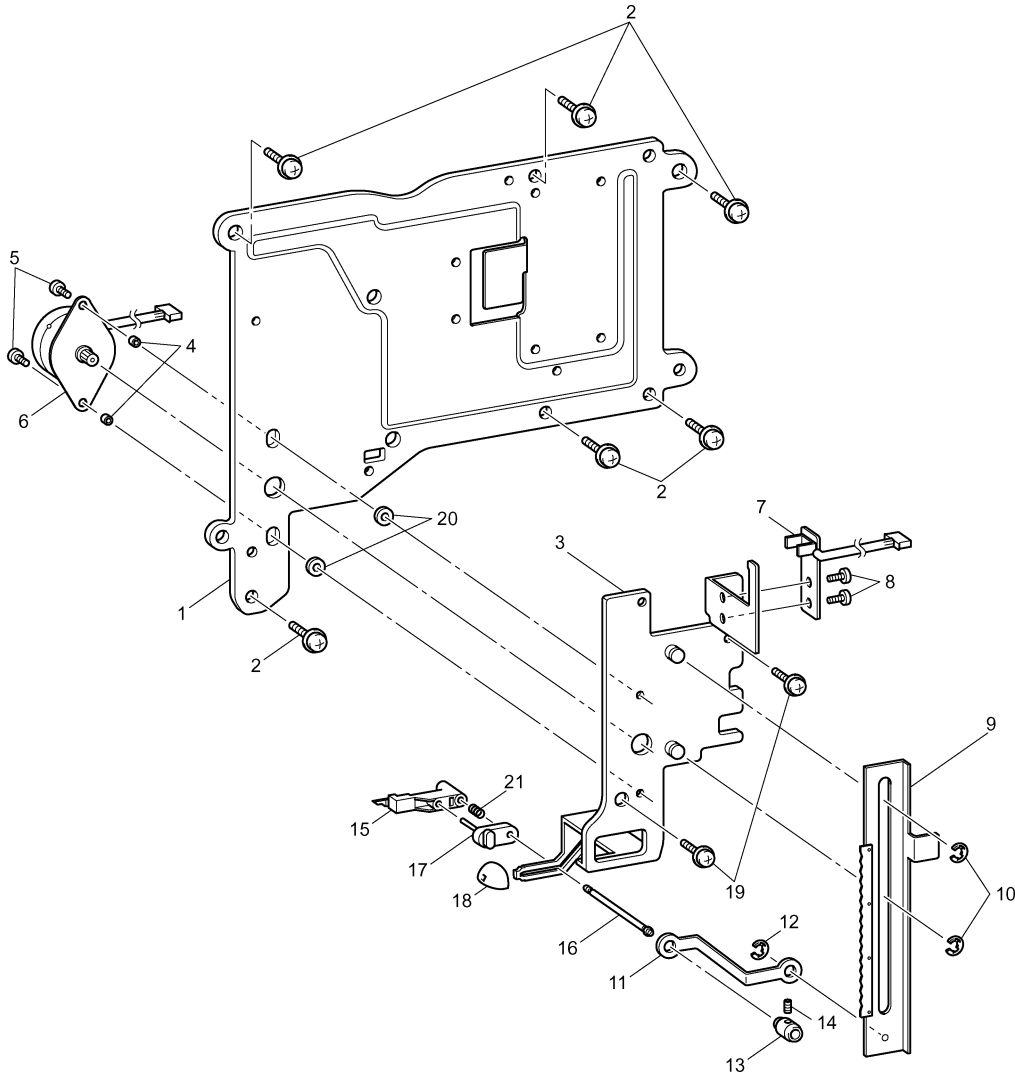


# (4) NEEDLE BAR CHANGE MECHANISM





## (5) THREAD GUIDE MECHANISM

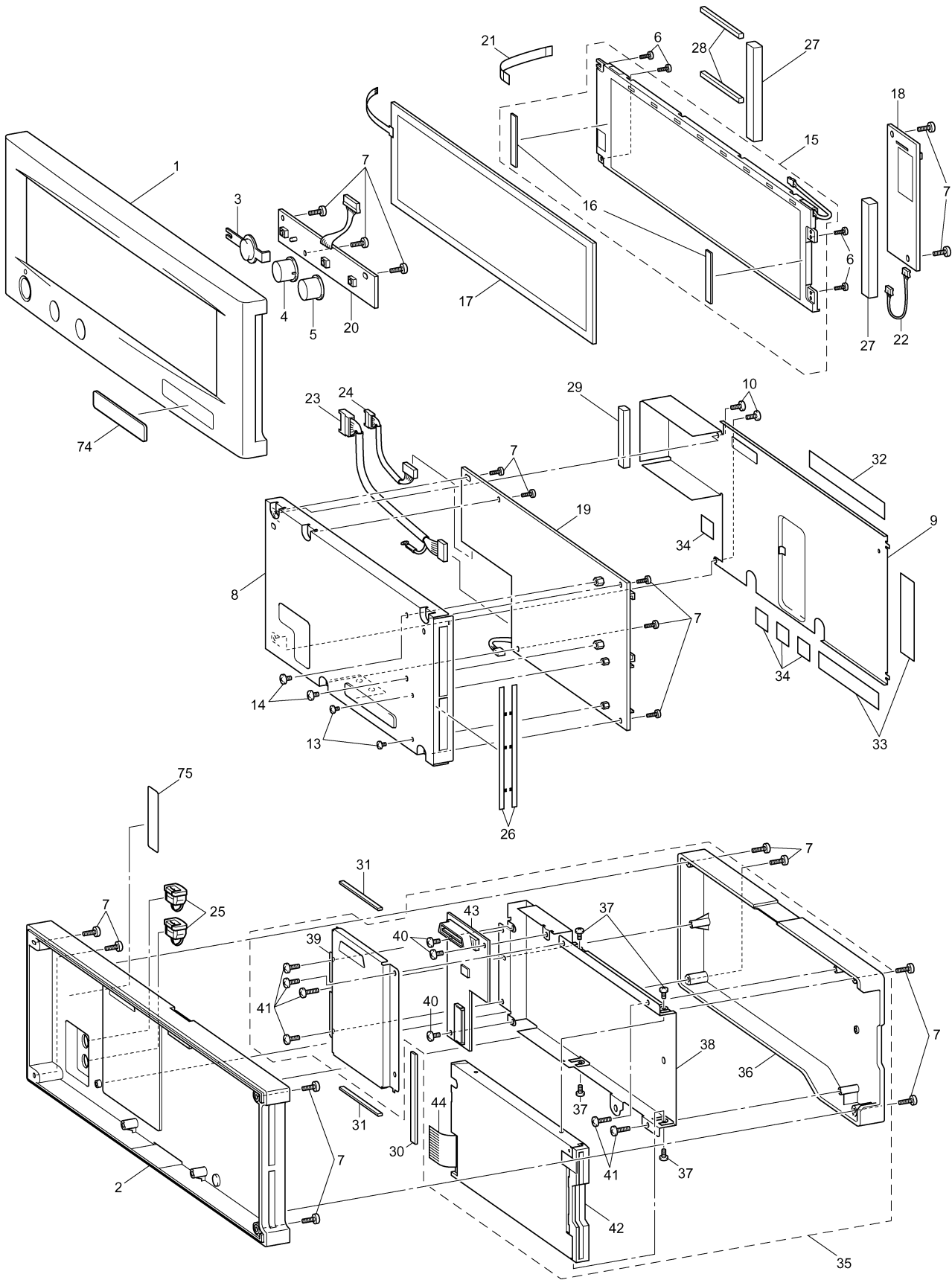


## (6) ELECTRONIC PARTS

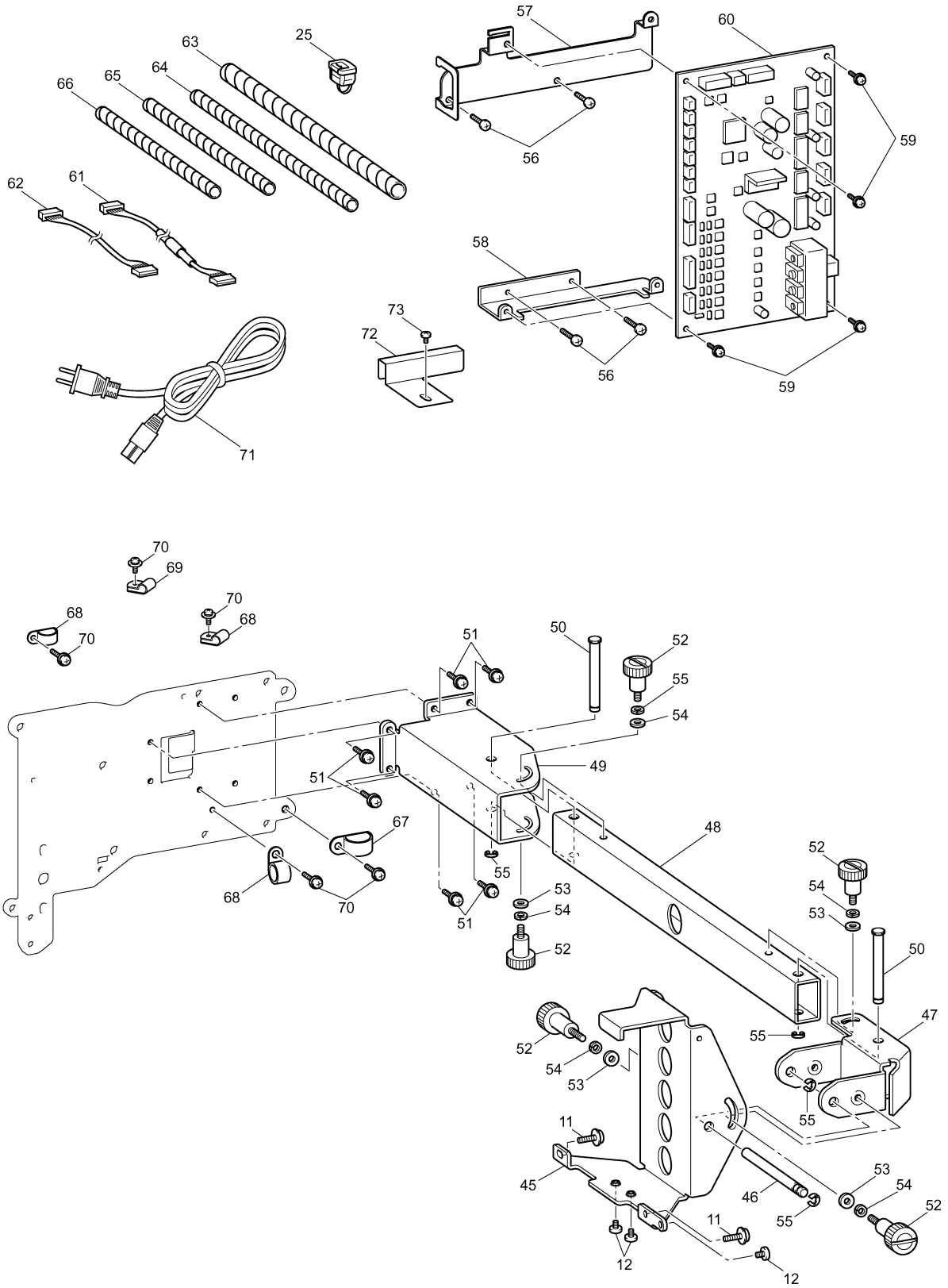
No.	CODE	NAME	REMARKS	No.	CODE	NAME	REMARKS
1	XC5741052	OPERATION PANEL A		44	XC6194051	FFC:SML2CD-FDD	
2	XC5742051	OPERATION PANEL B		45	XC5746051	OPERATION PANEL HOLDER A	
3	XC5743052	SS BUTTON		46	XC5747051	OPERATION PANEL HOLDER SHAFT	
4	XC5744052	OPERATION BUTTON		47	XC5748051	OPERATION PANEL LEVER A	
5	XC5642052	THREAD CUT BUTTON		48	XC5749051	OPERATION PANEL LEVER B	
6	085200815	TAPTITE, BIND P M2X8		49	XC5750051	OPERATION PANEL LEVER C	
7	X59629051	TAPTITE,BIND B M3X10		50	XC5751051	OPERATION PANEL LEVER SHAFT	
8	XC5752051	BOARD CASE A		51	0A5400806	SCREW, PAN (S/P WASHER) M4X8	
9	XC5753051	BOARD CASE B		52	XC5553051	THUMB BOLT M4 L	
10	060300616	SCREW, BIND M3X6		53	026040236	WASHER, PLAIN M 4	
11	087411416	TAPTITE, CUP B M4X14		54	028040246	WASHER, SPRING 2-4	
12	060400416	SCREW, BIND M4X4		55	048060346	RETAINING RING, E6	
13	XA1387051	SCREW		56	X57908051	TAPTITE,BIND S M4X10	
14	000300305	SCREW, BIND M3X3		57	XC5756051	BOARD HOLDER U	
15	XC7400051	SUPPLY ASSY:LCD		58	XC5757051	BOARD HOLDER D	
	XC7401051	SUPPLY ASSY:LCD US (U.S.A.)		59	052300606	SCREW, PAN (S/P WASHER) M3X6	
16	XA6039051	FRONT COVER SPACER B		60	XC7396051	SUPPLY ASSY:MAIN PCB	
17	XC7399051	SUPPLY ASSY:TOUCH PANEL		61	XC6197051	LEAD WIRE ASSY:PANEL B	
18	XC7403051	SUPPLY ASSY:INVERTER		62	XC6198051	LEAD WIRE ASSY:HEAD	
19	XC7394051	SUPPLY ASSY:PANEL PCB B		63	XC5069051	SPIRAL TUBE A	
20	XC7404051	SUPPLY ASSY:SW PCB		64	XC5073051	SPIRAL TUBE B	
21	XC6193051	FFC:SML2CD-LCD		65	XC5078051	SPIRAL TUBE C	
22	XC6195051	LEAD WIRE ASSY: INVERTER		66	XC6407051	SPIRAL TUBE D	
23	XC6196051	LEAD WIRE ASSY:PANEL A		67	XZ0201051	CORD CLAMP:WL-5/8	
24	XC6200051	LEAD WIRE ASSY:USB A		68	XC5243051	CORD CLAMP:NK-5N	
25	XC7233051	CORD BUSHING 5P-4		69	S10243000	CORD HOLDER, NK-3N	
26	XC6570051	CARBON BRUSH		70	0A5401005	SCREW, PAN (S/P WASHE) M4X10	
27	XC6571051	GASKET A		71	XC6579051	POWER SUPPLY CORD:CSA-CORE (U.S.A., CANADA)	
28	XC6572051	GASKET B			XC6580051	POWER SUPPLY CORD:CEE-CORE	
29	XC6573051	GASKET C			XC6581051	POWER SUPPLY CORD:BS-CORE (U.K.)	
30	XC6574051	GASKET D			XC7116051	POWER SUPPLY CORD:SAA-CORE (AUSTRALIA)	
31	XC6575051	GASKET E		72	XC5157051	PROTECT SHEET	
32	XC6576051	COPPER FOIL TAPE A		73	060400516	SCREW, BIND M4X5	
33	XC6577051	COPPER FOIL TAPE B		74	XC6166001	PR-600 BADGE	
34	XC6578051	COPPER FOIL TAPE C		75	S52582001	MERCURY WARNING LABEL 14X70 P2 (U.S.A.)	
35	XC6065051	FD ASSY					
36	XC5745051	FD COVER					
37	060260316	SCREW, BIND M2.6X3					
38	XC5754051	FD CASE A					
39	XC5755051	FD CASE B					
40	060300616	SCREW, BIND M3X6					
41	136681051	TAPTITE, BIND B M3X8					
42	XA9639051	FDD:FD-05HG-5661					
43	XC6126051	ASSY:FD PCB					



## (6) ELECTRONIC PARTS



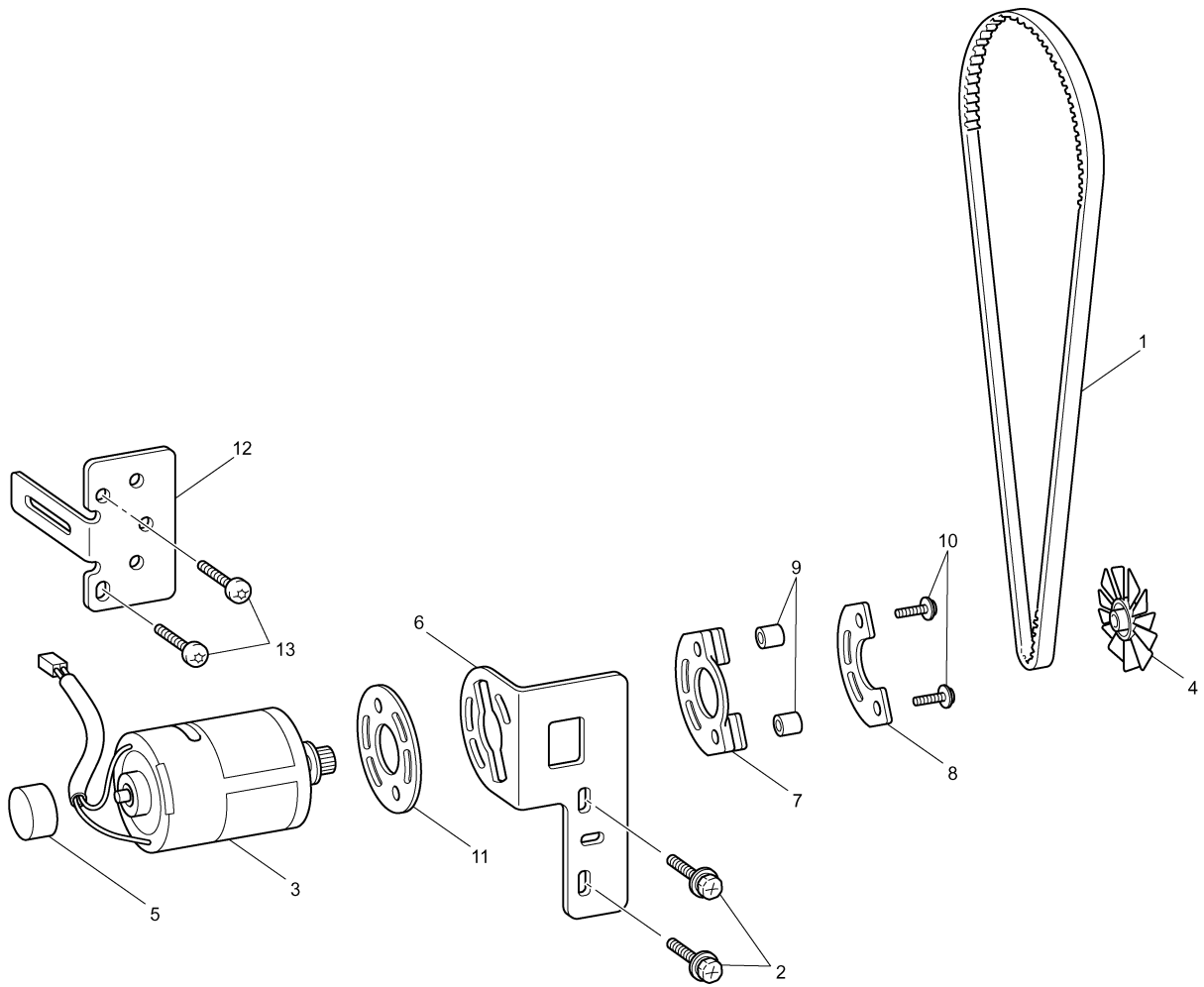
# (6) ELECTRONIC PARTS







## (7) MOTOR UNIT

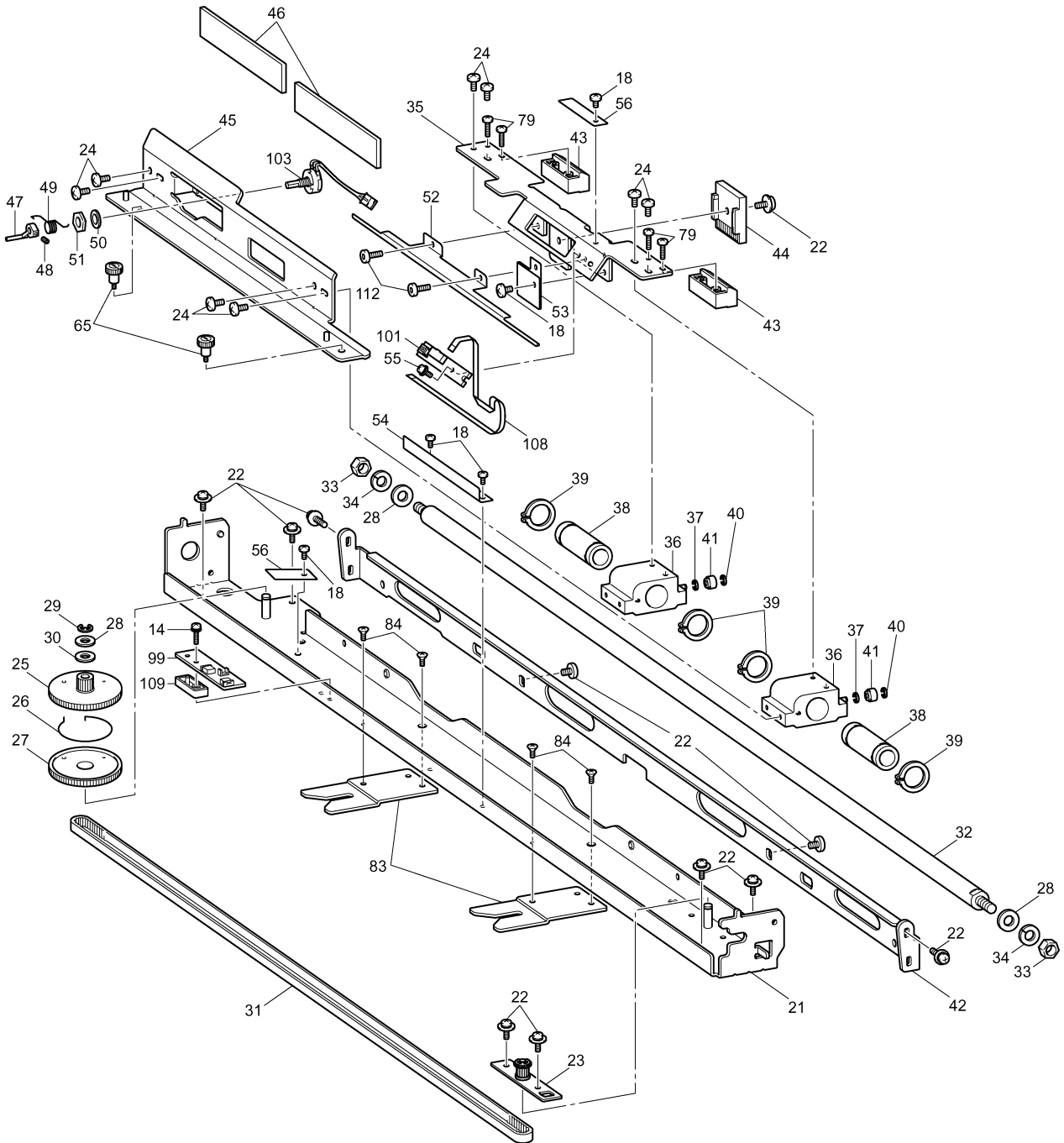


## (8) FEED MECHANISM

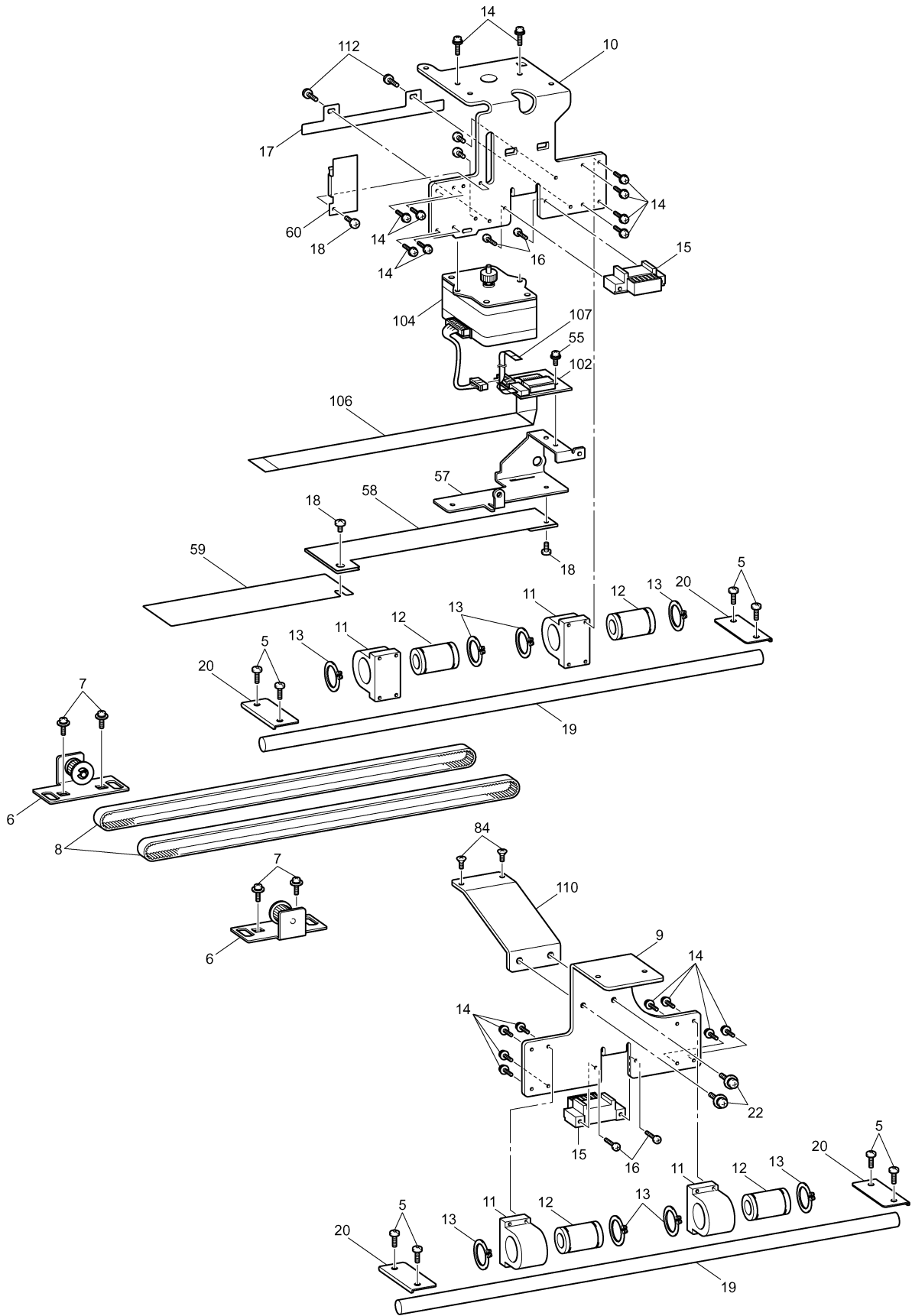
No.	CODE	NAME	REMARKS	No.	CODE	NAME	REMARKS
1	XC5766001	ADJUST BOLT M8		45	XC5799051	X CARRIAGE A ASSY	
2	021080206	NUT, 2 M8		46	XC6220001	X CARRIAGE SLIDING SHEET	
3	XC5767051	Y DRIVING SHAFT ASSY		47	XC5801051	HOOP LEVER	
4	X52478051	BUSHING PRESSER		48	012300632	SET SCREW, SOCKET (FT) M3X6	
5	X57908051	TAPTITE,BIND S M4X10		49	XC5802051	SPRING	
6	XC5771051	Y TENSION PLATE SET		50	025060136	WASHER, PLAIN S 6	
7	0A5401006	SCREW, PAN (S/P WASHE) M4X10		51	X52569001	NUT	
8	XC5775051	T BELT B60S3M579		52	XC5803051	X SENSOR DOG	
9	XC5776051	Y CARRIAGE R		53	XC5804051	X CABLE FIXING SHEET A	
10	XC5777051	Y CARRIAGE L		54	XC5805051	X CABLE FIXING SHEET B	
11	XC5779051	BEARING CASE Y		55	052300606	SCREW, PAN (S/P WASHER) M3X6	
12	XC5780001	BEARING 10 ,LINER		56	XC5806051	X CABLE FIXING SHEET C	
13	048190142	RETAINING RING, EXTERNAL C19		57	XC5807051	PCB SET PLATE	
14	0A4301006	SCREW, PAN (S/P WASHE) M3X10		58	XC5808051	X CABLE PROTECTION SHEET A	
15	XC5781051	Y BELT PRESSER		59	XC6121051	X CABLE PROTECTION SHEET B	
16	085301217	TAPTITE, BIND P M3X12		60	XC5809051	CODE GRIP	
17	XC5782051	Y SENSOR DOG		61	XC5810051	Y MOTOR STAY	
18	060300416	SCREW, BIND M3X4		62	0A4300605	SCREW, PAN (S/P WASHER) M3X6	
19	XC5783051	Y GUIDE SHAFT		63	XC5813051	HOOP STAY ASSY	
20	XC5784051	FIXED Y SHAFT PLATE		64	XC5816051	RUBBER	
21	XC5785051	FEED FRAME ASSY		65	XC5817051	SCREW, KNOB M4S	
22	0A5400806	SCREW, PAN (S/P WASHER) M4X8		66	XC5819051	TUBULAR ROUND ARM R ASSY	
23	XA9657051	TENSION PULLEY ASSY		67	XC7076051	SPRING,PLATE	
24	060400616	SCREW, BIND M4X6		68	U08671003	SCREW, PAN (S/P WASHER) M3X5	
25	XC3227001	Y DRIVING GEAR PULLEY A		69	XC5823051	TUBULAR ROUND ARM L ASSY	
26	XC3194051	SPRING FOR GEAR		70	XC7076051	SPRING,PLATE	
27	XC3192001	Y DRIVING GEAR PULLEY B		71	U08671003	SCREW, PAN (S/P WASHER) M3X5	
28	025060235	WASHER, PLAIN M 6		72	XC5826051	SPRING PLATE	
29	048040346	RETAINING RING, E4		73	XC5827051	GUIDE PLATE ASSY	
30	X53838051	WASHER		74	048030346	RETAINING RING, E3	
31	XC5788051	T BELT B60S796		75	XC5553051	THUMB BOLT M4 L	
32	XC5789051	X GUIDE SHAFT		76	XC5831051	POWER UNIT STAY	
33	021060206	NUT, 2 M6		77	XC5832051	POWER UNIT COVER	
34	028060246	WASHER, SPRING 2-6		78	XC5833051	INSULATION PLATE	
35	XC5790051	X CARRIAGE B		79	X59629051	TAPTITE,BIND B M3X10	
36	XC5792051	BEARING CASE X ASSY		80	136681051	TAPTITE, BIND B M3X8	
37	048040346	RETAINING RING, E4		81	XC5834051	HANDLE	
38	XC6222001	BEARING 12 LINER		82	XC5835051	BUSH 4X4	
39	048210142	RETAINING RING, EXTERNAL C21		83	XC5836051	CAP CONNECTION	
40	048040346	RETAINING RING, E4		84	061300616	SCREW, FLAT M3X6	
41	XC5796051	X ROLLER		85	XC5838051	USB PCB HOLDER	
42	XC6221051	X FEED FRAME B		86	XC5837052	USB PCB COVER	
43	XC6218051	Y FRAME SPACER		87	XC5839051	INLET COVER	
44	XC5798051	X BELT PRESSER		88	XC6072051	INLET COVER LID	



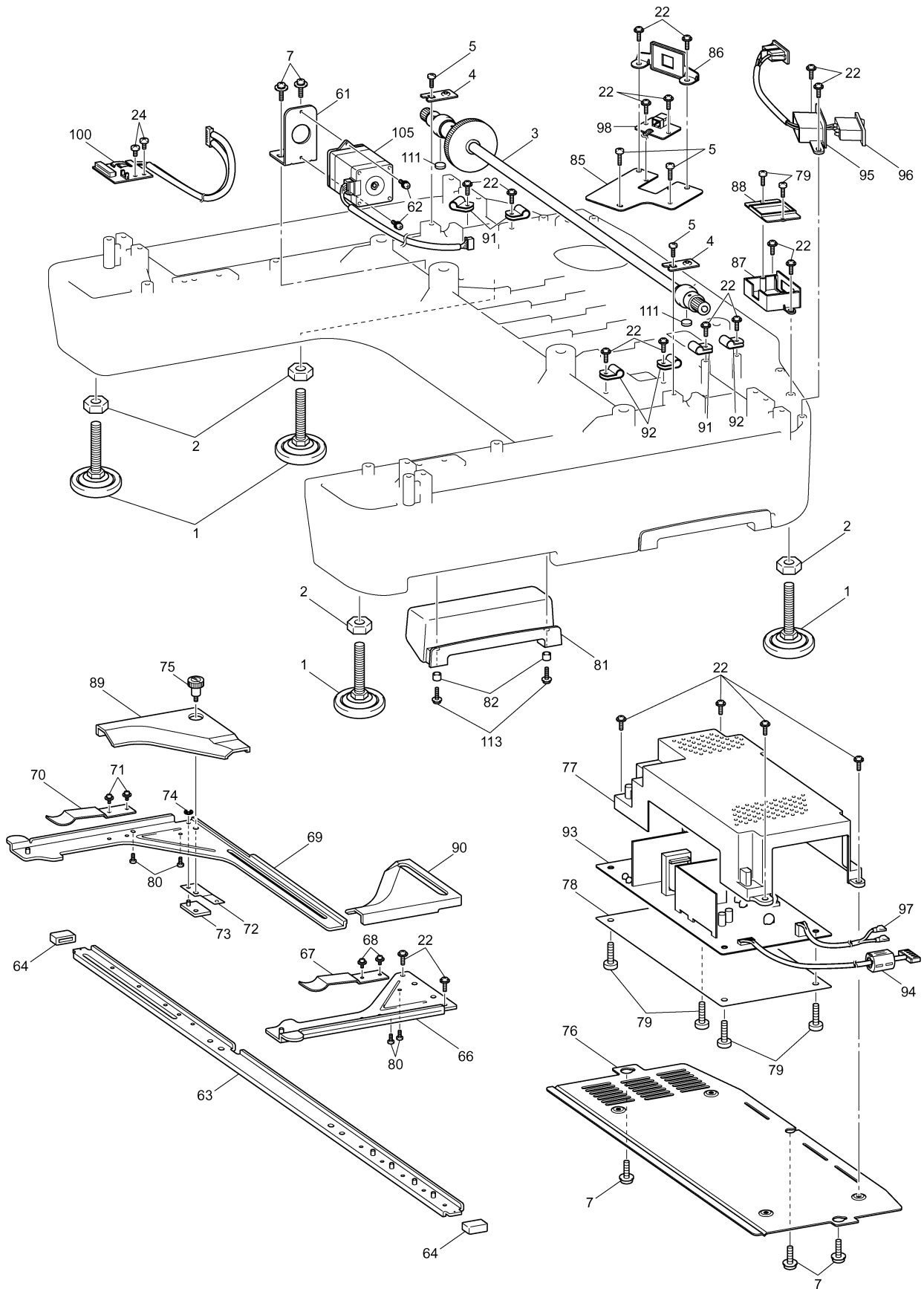
# (8) FEED MECHANISM



# (8) FEED MECHANISM



# (8) FEED MECHANISM

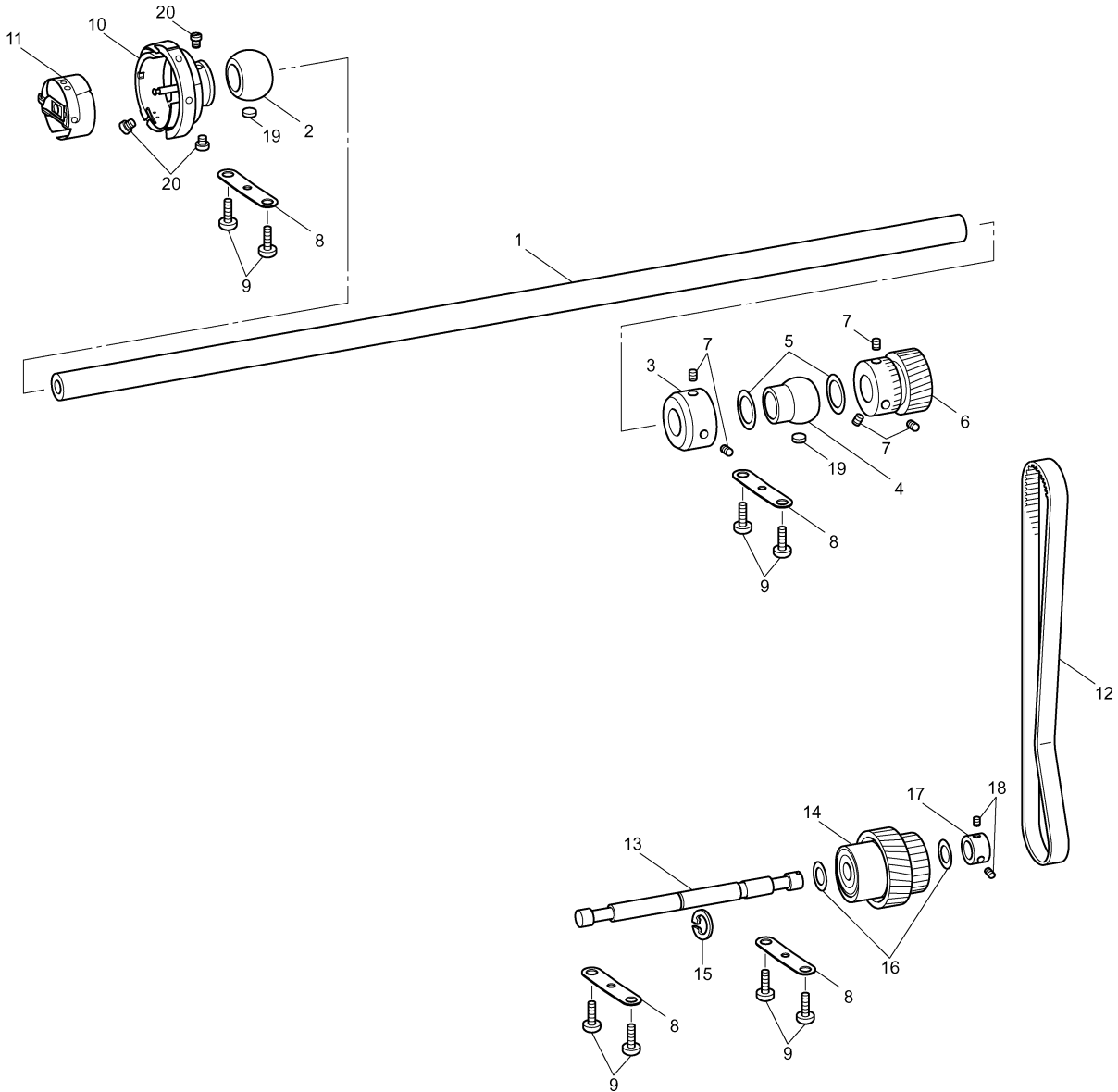








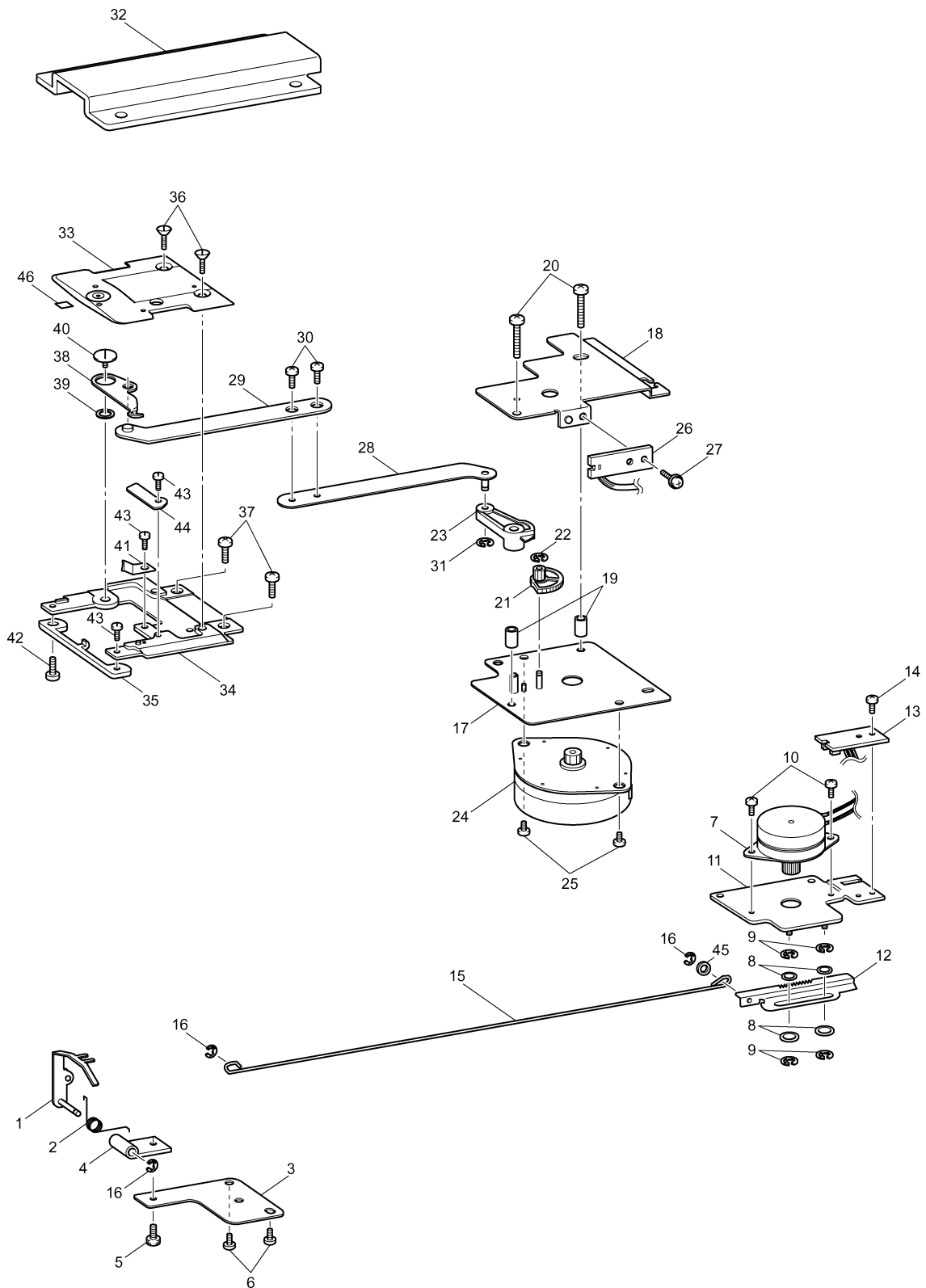
# (9) LOWER SHAFT MECHANISM



## (10) THREAD CUTTING MECHANISM

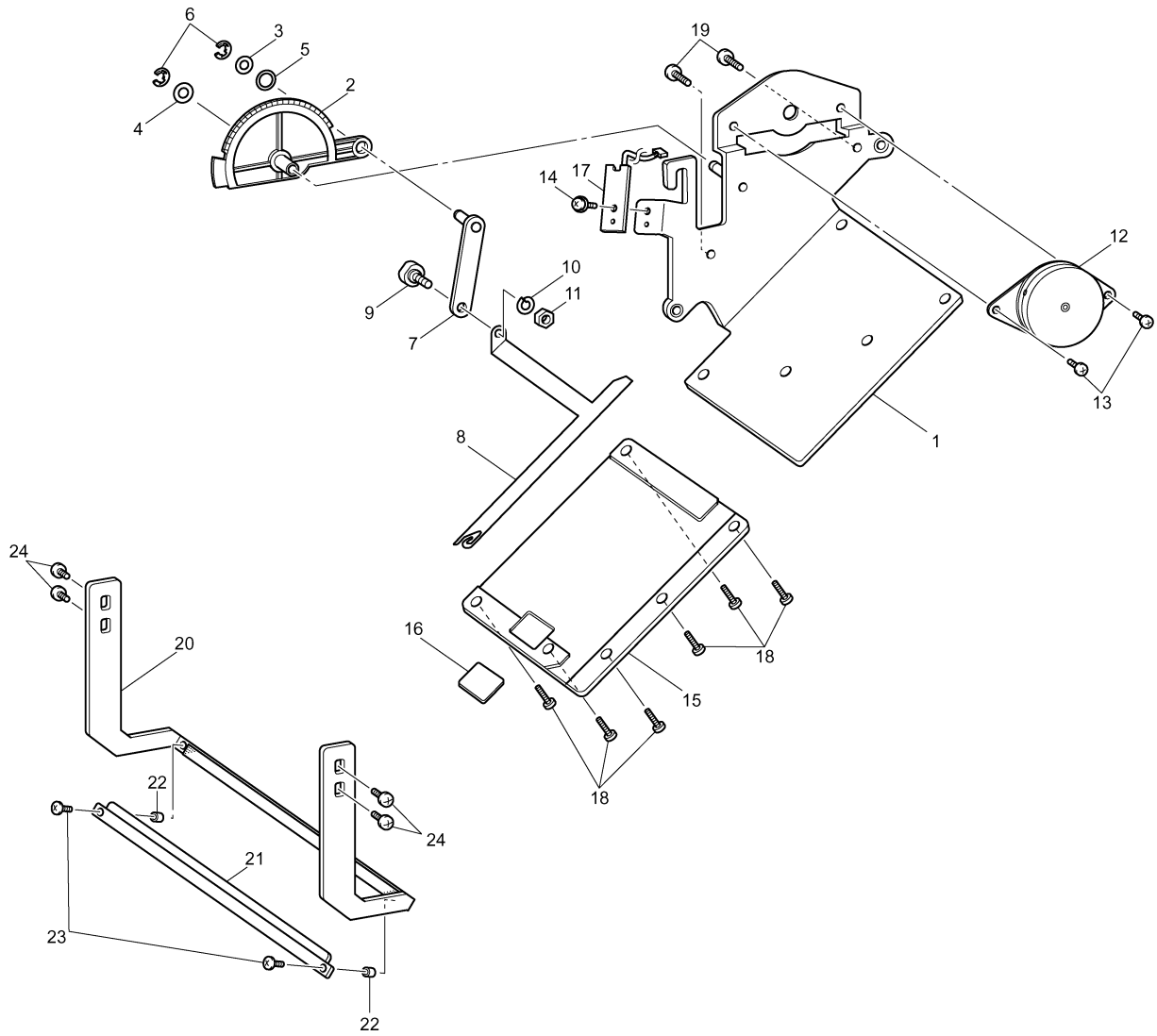
No.	CODE	NAME	REMARKS	No.	CODE	NAME	REMARKS
1	XC5849051	PICKER ASSY		45	026030136	WASHER, PLAIN S 3	
2	XC5853051	PICKER SPRING		46	XC5984051	FELT	
3	XC5854051	PICKER BRACKET					
4	XC6634051	PICKER HOLDER					
5	018300532	BOLT, SOCKET M3X5					
6	060400616	SCREW, BIND M4X6					
7	XC6187051	ASSY: PICKER MOTOR					
8	026030136	WASHER, PLAIN S 3					
9	048020346	RETAINING RING, E2					
10	060300416	SCREW, BIND M3X4					
11	XC5510051	PK MOTOR BRACKET ASSY					
12	XC5513151	RACK ASSY					
13	XC6161051	ASSY: PICKER SENSOR					
14	052300606	SCREW, PAN (S/P WASHER) M3X6					
15	XC5856051	PICKER LINK					
16	048020346	RETAINING RING, E2					
17	XC5858051	CT MOTOR BRACKET ASSY					
18	XC5863051	CUTTER BRACKET					
19	XC5864051	COLLAR					
20	000401605	SCREW, BIND M4X16					
21	XC5865051	INITIAL GEAR					
22	048020346	RETAINING RING, E2					
23	XC5866051	LEVER GEAR					
24	XC6184051	ASSY: TH CUTTER MOTOR					
25	060300416	SCREW, BIND M3X4					
26	XC6152051	ASSY: TH CUTTER SENSOR					
27	052300606	SCREW, PAN (S/P WASHER) M3X6					
28	XC5868051	LEVER LINK ASSY					
29	XC5871051	CUTTER LINK ASSY					
30	060300416	SCREW, BIND M3X4					
31	048040346	RETAINING RING, E4					
32	XC5874051	BED COVER					
33	XC5875051	NEEDLE PLATE					
34	XC5876051	NEEDLE PLATE BASE ASSY					
35	XC5879051	ROTARY HOOK STOPPER					
36	XC6404051	SCREW, FLAT M4					
37	062400816	SCREW, PAN M4X8					
38	S32474001	MOVABLE KNIFE					
39	S32476001	COLLAR, M-KNIFE					
40	S32475001	SCREW, M4					
41	XC6230051	THREAD HOLDING PLATE					
42	018300636	BOLT, SOCKET M3X6					
43	XC5881051	SCREW					
44	XC5882001	FIXED KNIFE					

# (10) THREAD CUTTING MECHANISM





# (11) THREAD WIPER MECHANISM



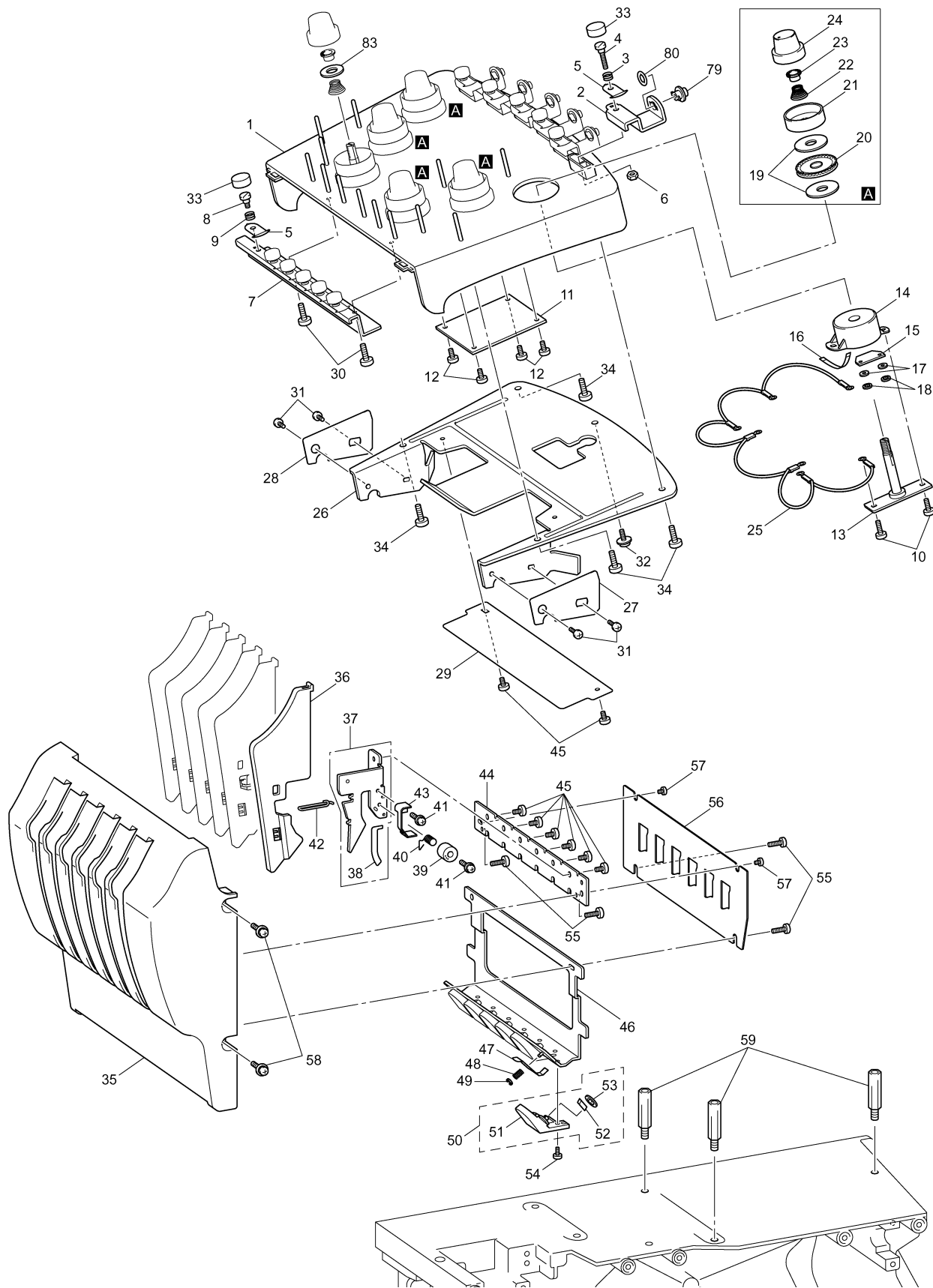
## (12) UPPER THREAD GUIDE MECHANISM

No.	CODE	NAME	REMARKS	No.	CODE	NAME	REMARKS
1	XC6350051	TENSION BASE ASSY		45	060300416	SCREW, BIND M3X4	
2	XC5905051	UPPER THREAD EYELET BASE		46	XC5931051	THREAD HOLDER BASE	
3	XC6231051	THREAD GUIDE COMPRESSION		47	XC5947051	NEEDLE THREAD PRESSER PLATE	
4	XC5909051	THREAD GUIDE TENSION SCREW		48	XC5962051	SPRING	
5	XC5907051	THREAD GUIDE TENSION PLATE		49	048015346	RETAINING RING, E1.5	
6	021300205	NUT, 2 M3		50	XC5967051	CUTTER COVER ASSY	
7	XC5908051	INNER THREAD EYELET BASE		51	XC5972051	CUTTER COVER	
8	XC5906051	THREAD GUIDE TENSION AXIS		52	X80321001	NT LOWER THREAD CUTTER	
9	XZ0198051	BOBBIN WINDER COMPRESSION		53	138384051	RETAINING RING,CS5	
10	136681051	TAPTITE, BIND B M3X8		54	0A5300606	SCREW, PAN (S/P WASHER) M3X6	
11	XC6164051	ASSY: HEAD PCB		55	085311016	TAPTITE, BIND B M3X10	
12	138433051	TAPTITE,PAN B M3X6		56	XC5934051	THREAD GUIDE BACK COVER	
13	XC5911051	THREAD TENSION BRACKET		57	060260316	SCREW, BIND M2.6X3	
14	XC5914051	THREAD QUANTITY SENSOR COVER		58	0A5401006	SCREW, PAN (S/P WASHE) M4X10	
15	XC6167051	ASSY: TH SENSOR		59	XC5935051	STUD	
16	XC6192051	FFC:SML2CD-H		60	XC5936051	SPOOL STAND BASE	
17	XC5880051	RUBBER WASHER		61	060400816	SCREW, BIND M4X8	
18	138334051	RETAINING RING,CS2		62	XC5938051	SPOOL STAND FRAME	
19	S36299001	TENSION DISC FELT		63	XC5939051	SPOOL STAND STUD	
20	S58456000	ROTARY DISC ASSY		64	XC5943051	STUD SCREW	
21	XC5915051	TENSION DISC PRESSER		65	XC5945051	SPRING WASHER	
22	XC6232051	TENSION SPRING		66	XC5946051	SPOOL STAND LINK	
23	S30564000	WASHER		67	XA9677051	WASHER	
24	XC5916051	TENSION NUT		68	048080346	RETAINING RING, E8	
25	XC6199051	LEAD WIRE ASSY:HEAD EARTH		69	XC5948051	SPACER	
26	XC5917051	TENSION BASE BRACKET		70	XC5553051	THUMB BOLT M4 L	
27	XC5883051	COLOR SHEET R		71	XC5949051	SPOOL PIN	
28	XC5895051	COLOR SHEET L		72	XC5950051	SPONGE	
29	XC6202051	BRACKET COVER		73	XC6235051	ANTENNA A	
30	085410816	TAPTITE, BIND B M4X8		74	XC6236051	ANTENNA B	
31	085411416	TAPTITE, BIND B M4X14		75	XC5951051	ANTENNA C ASSY	
32	052300606	SCREW, PAN (S/P WASHER) M3X6		76	XC6237051	ANTENNA D	
33	XC5919051	TENSION AXIS CAP		77	XC5830051	ANTENNA E	
34	060400616	SCREW, BIND M4X6		78	060300616	SCREW, BIND M3X6	
35	XC5920052	THREAD TAKE-UP LEVER COVER		79	XC5812051	PIPE BUSH A	
36	XC6001051	THREAD GUIDE COVER		80	081005070	O RING, P5	
37	XC5921051	THREAD TAKE-UP BRACKET ASSY		81	XC6238051	ANTENNA SHAFT	
38	XC5925051	SPRING TAPE		82	048050346	RETAINING RING, E5	
39	XC6463051	THREAD CATCHING SPRING CASE		83	XC7254051	WASHER	
40	XC5926051	THREAD TAKE-UP SPRING					
41	0A4300606	SCREW, PAN (S/P WASHER) M3X6					
42	XC5929051	THREAD GUIDE WIRE					
43	XC6234051	THREAD GUARD					
44	XC5930051	THREAD TENSION BRACKET BASE					

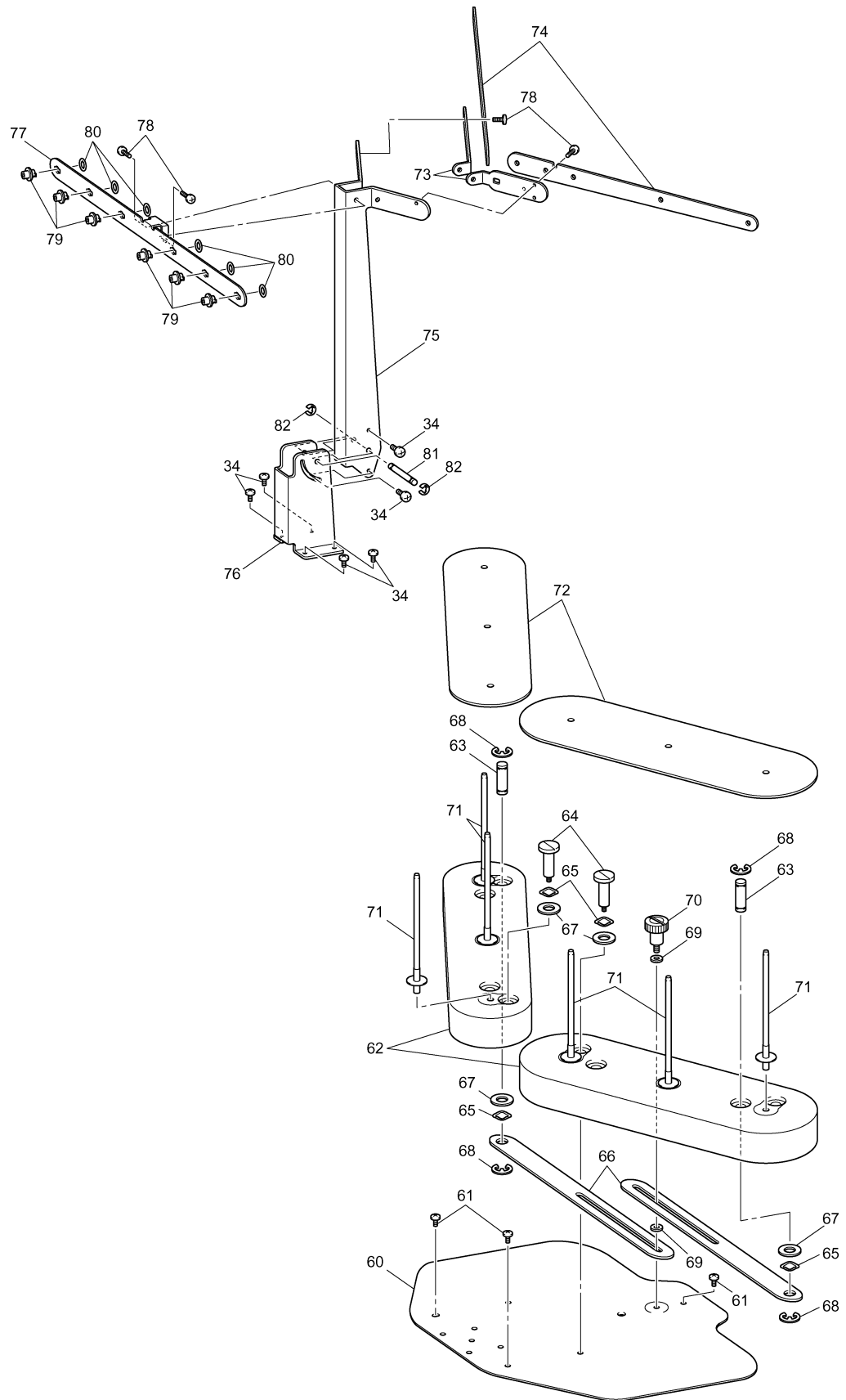




# (12) UPPER THREAD GUIDE MECHANISM



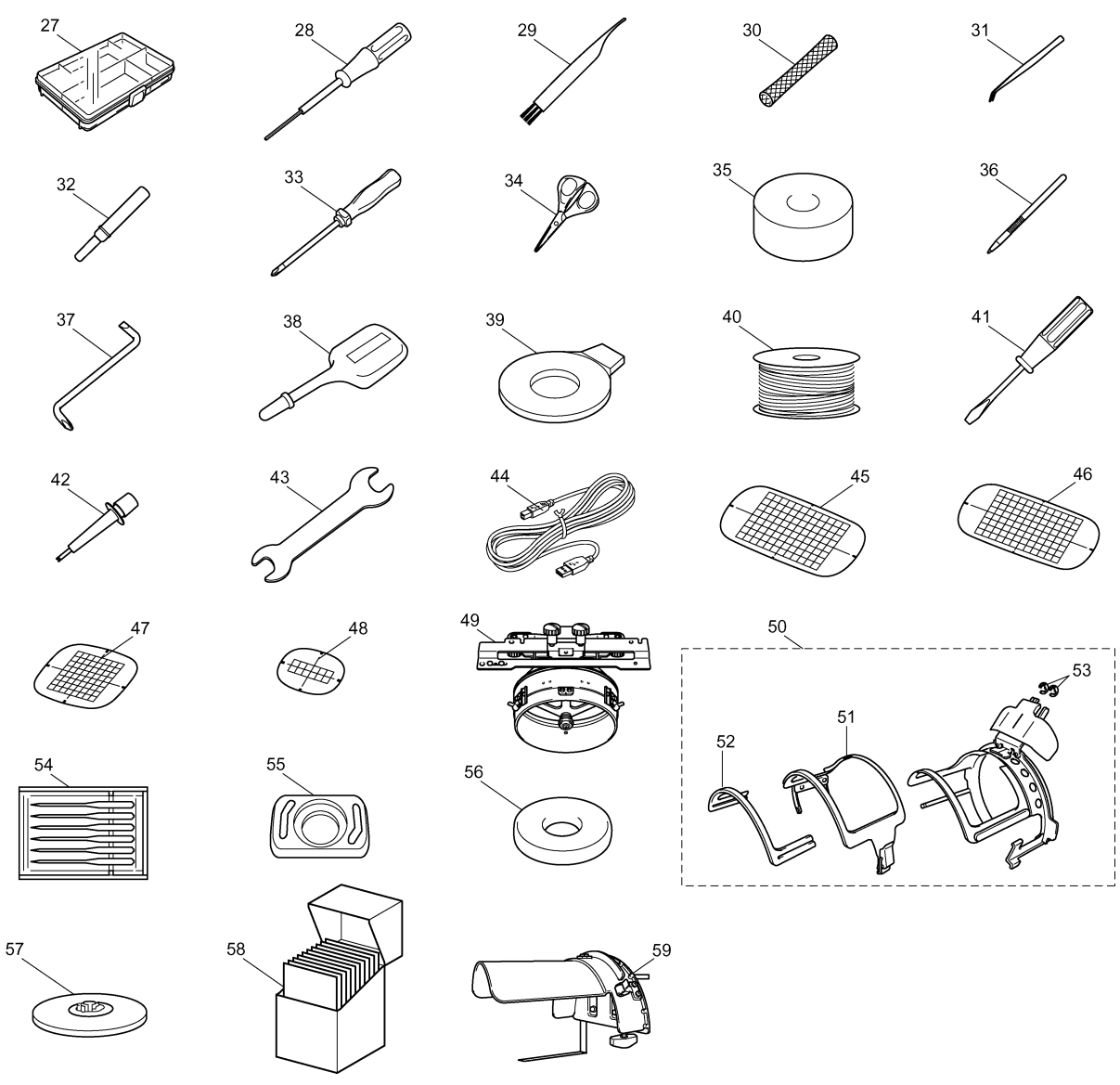
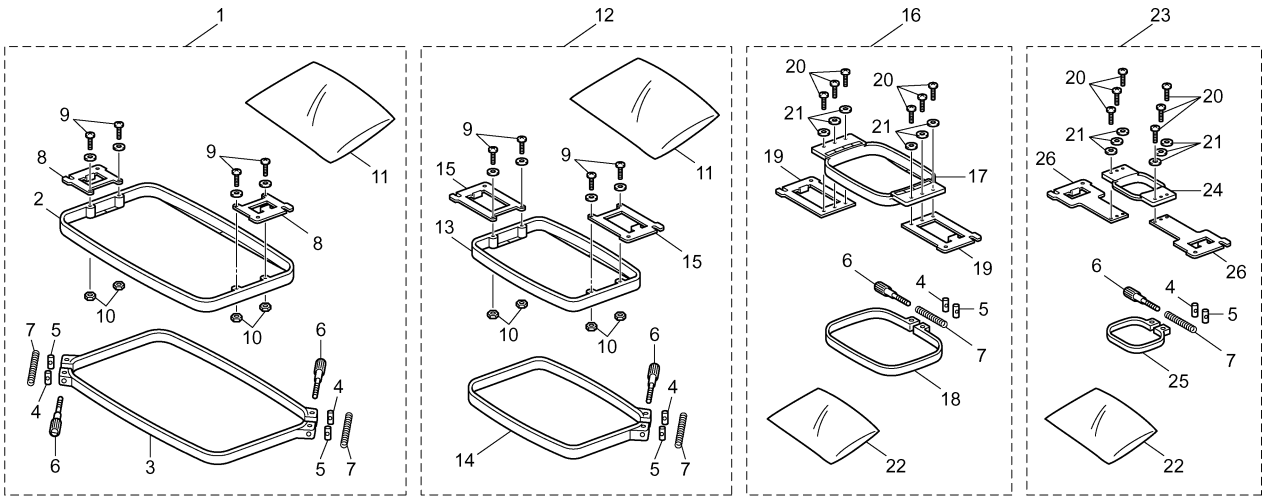
## (12) UPPER THREAD GUIDE MECHANISM



## (13) ATTACHMENTS

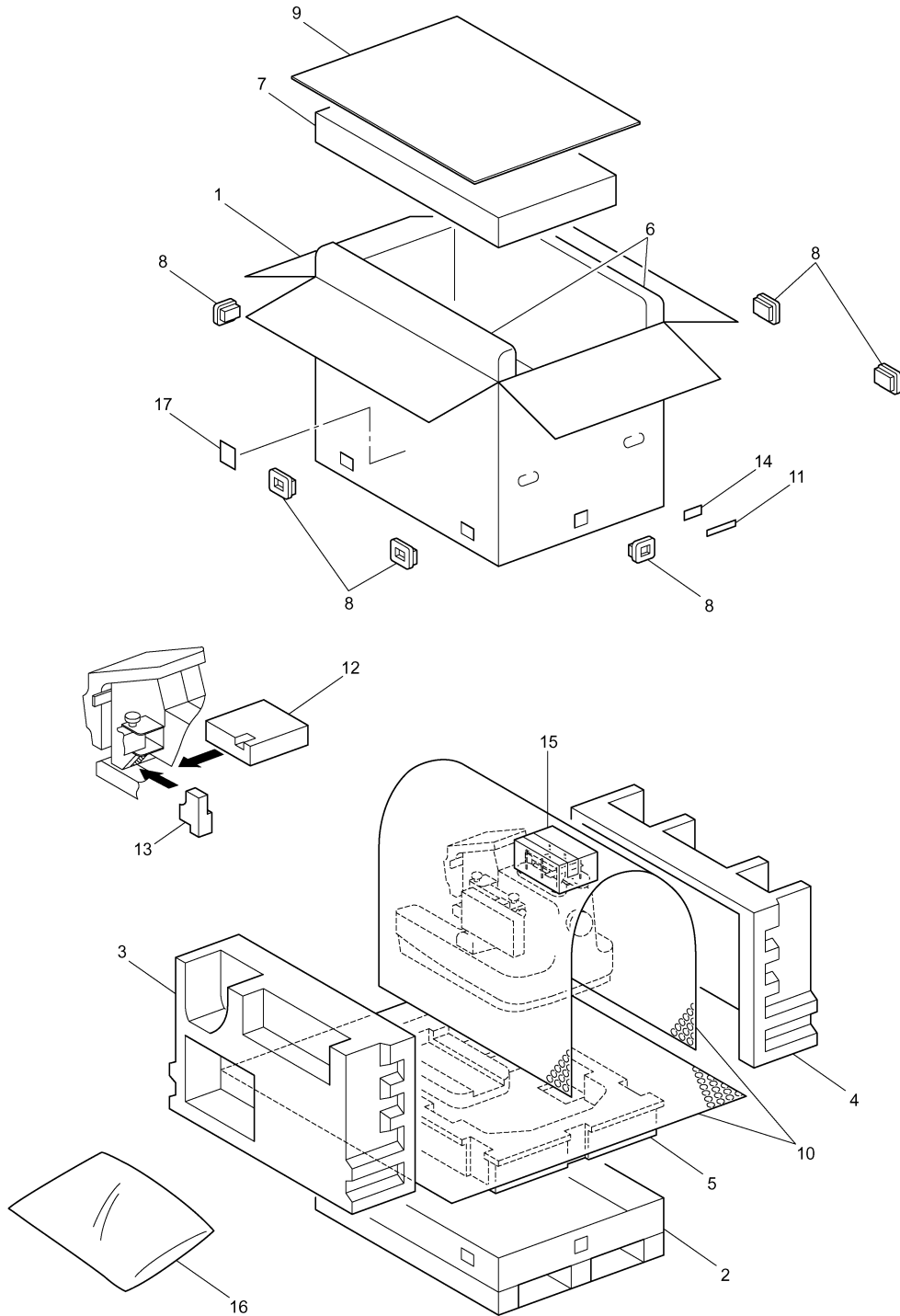
No.	CODE	NAME	REMARKS	No.	CODE	NAME	REMARKS
1	XC5954051	TUBULAR FRAME 30X20 ASSY		45	XC5704051	EMBROIDERY SHEET 30X20 ASSY	
2	XC5955051	TUBULAR FRAME 30X20 INNER		46	XC5721051	EMBROIDERY SHEET 18X13 ASSY	
3	XC5956051	TUBULAR FRAME 30X20 OUTER		47	XC5759051	EMBROIDERY SHEET 10X10 ASSY	
4	S32798001	COLLAR		48	XC5761051	EMBROIDERY SHEET 06X04 ASSY	
5	S32799001	NUT, M4		49	XC5533051	CAP DRIVER ASSY (PR600C)	
6	XC5957051	SCREW, M4		50	XC5554051	CAP FRAME (PR600C)	
7	S36043000	SPRING, COMPRESSION 5.3X47.7		51	XC5561051	FRAME COVER (PR600C)	
8	XC5958051	HOLDER 30X20		52	XC5562051	RUBBER (PR600C)	
9	062401416	SCREW, PAN M4X14		53	048025346	RETAINING RING, E2.5 (PR600C)	
10	021400206	NUT, 2 M4		54	XC6469001	NEEDLE ASSEMBLY	
11	X60224051	BAG,350X700H		55	XC6499051	NEEDLE PLATE COVER	
12	XC5959051	TUBULAR FRAME 18X13 ASSY		56	XC7134051	SPOOL FELT	
13	XC5960051	TUBULAR FRAME 18X13 INNER		57	130012054	SPOOL PRESSER A	
14	XC5961051	TUBULAR FRAME 18X13 OUTER		58	XC5262001	NEEDLE HAX 130X100	
15	XC5963051	HOLDER 18X13		59	XC5566051	SETTING FRAME GAUGE ASSY (PR600C)	
16	XC5964051	TUBULAR FRAME 10X10 ASSY					
17	XC5965051	TUBULAR FRAME 10X10 INNER					
18	XC5966051	TUBULAR FRAME 10X10 OUTER					
19	XC5968051	HOLDER 10X10					
20	060300516	SCREW, BIND M3X5					
21	025030236	WASHER, PLAIN M 3					
22	XZ0197051	PE BAG,180X470H					
23	XC5969051	TUBULAR FRAME 06X04 ASSY					
24	XC5970051	TUBULAR FRAME 06X04 INNER					
25	XC5971051	TUBULAR FRAME 06X04 OUTER					
26	XC5973051	HOLDER 06X04					
27	XC6482051	ACCESSORY CASE					
28	XC5159051	HEXAGONAL DRIVER,1.5					
29	X59476051	CLEANING BRUSH					
30	S34455000	NET, 160L					
31	XC6542051	PINCETTE					
32	X54243001	SEAM RIPPER					
33	XC6543051	SCREW DRIVER, 2X100					
34	184783051	SCISSORS					
35	XC5974151	BOBBIN TENSION GAUGE					
36	XA9940001	TOUCH PEN					
37	XC6545051	Z-TYPE SCREW-DRIVER, +-					
38	121156001	OILER					
39	XC1074051	NEEDLE PLATE FIXING METAL					
40	XC6368051	BOBBIN					
41	X55468051	SCREW DRIVER S					
42	XC4957051	NEEDLE EXCHANGE TOOL					
43	XC6159051	WRENCH 13X10					
44	XC5910051	USB I/F CABLE					

# (13) ATTACHMENTS





# (14) PACKING MATERIALS / PRINTED MATTER



PR600  
PR600C  
34H03HF884T01